

Hydraulic Door Closers

3024 Door Closer Series

A range of power selectable door closer units suitable for architectural and commercial applications.

Standard Features

- 2 – 4 Power Selectable.
- Hold Open.
- Adjustable Backcheck.
- Speed Controls.
- Overload Protection.
- Non-Handed.
- Regular, Parallel & Over Door mounting.

Hold Open

Hold open can be set at any angle up to 150° of opening.

Standard Finishes

- Brown BRN
- Silver SIL
- Gold GLD
- Black BLK

Other finishes available on request.

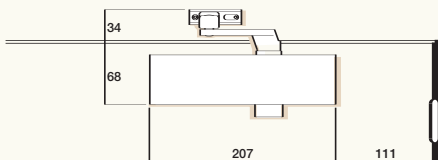


Approved on fire door assemblies up to 4HR, in accordance with Australian Standards AS1905 Part 1 – Fire Resistant Doors 1984.



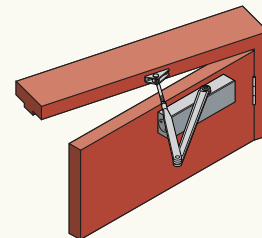
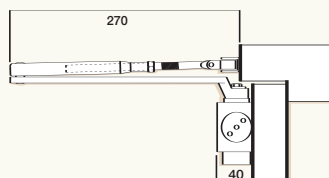
3024 Standard Arm

Closer installed on pull side of door. This mounting position permits opening of 180°.



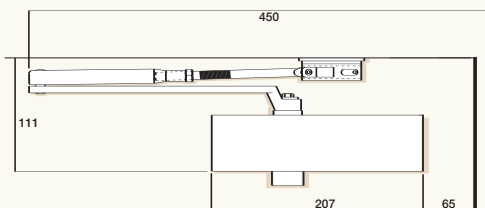
Part Numbers

- Non hold open **3024**
- Hold Open **3024H**



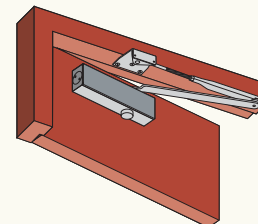
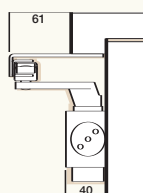
3024 Parallel Arm

Closer installed on push side of door. This mounting position permits opening of 180°.



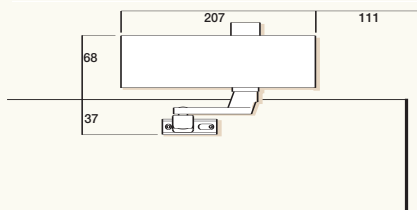
Part Numbers

- Non hold open **3024**
- Hold Open **3024H**



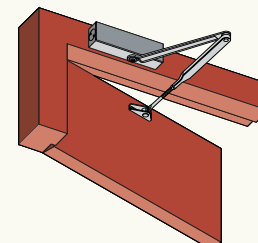
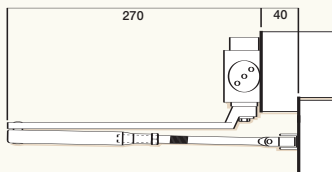
3024 Over-Door Mounting

Closer installed on push side of door and top rail where conditions do not allow parallel mounting. Standard mounting position permits opening of 180°.



Part Numbers

- Non hold open **3024**
- Hold Open **3024H**



Hydraulic Door Closers

Standard Hold Open Arm

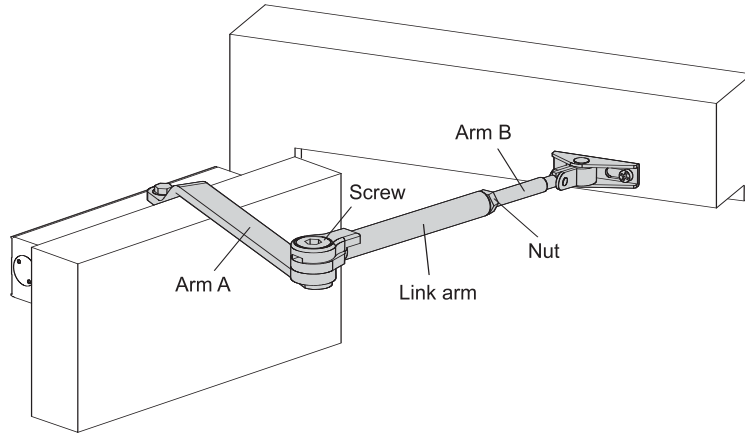
Description

Surface mounted on push or pull side of door. To hold the door open at any angle until the hold-open function is positively released by a slight pull action. Adjustable up to 150° angle of the door closer opening range.

Features & Specifications

The Hold Open Arm is suitable for both standard and parallel mounting.

The link arm is forged steel with a steel main arm finished in baked enamel.

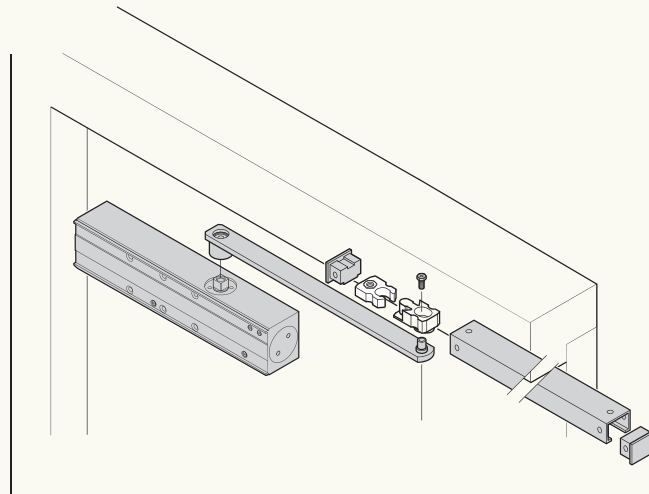


Slide Arm Hold Open

Adjustable Hold Open Device

To set the hold open angle move hold open device to required position and firmly tighten screw.

If Hold Open is not required do not tighten HO screw.



Delayed Action

The Delayed Action is an independent valve and can either be adjusted as part of the closing sequence or independently adjusted for delayed action.

Closing sequence with Delayed Action

D = 130° - 70° Control door speed with Delayed Action valve

B = 70° - 15° Control door speed with Closing valve

A = 15° - 0° Control door speed with Latching valve

